

NTC THERMISTORS

NTC sensors are a type of thermistor used for the control and accurate temperature monitoring of critical points in machinery and other equipment including, heat pumps, air conditioning, etc. NTC sensors have a negative coefficient. The sensor's small dimensions render it as ideal for installation in various types of equipment and systems.

- *Temperature monitoring of bearing housings and machine components*
- *Temperature monitoring of windings in electric motors, generators and transformers*
- *Resistance values 0.1 ... 1000kOhm, suitable for most applications*

PRODUCT INFORMATION

NTC sensors are a type of thermistor used for the control and accurate temperature monitoring of critical points in machinery and other equipment including, heat pumps, air conditioning, etc. NTC sensors have a negative coefficient. The sensor's small dimensions render it as ideal for installation in various types of equipment and systems.

Typical applications

Temperature monitoring of bearing housings, machine components, heat pumps, air conditioning installations, windings in electric motors, generators, transformers, etc.

Properties

- Temperature monitoring at a low cost within a wide temperature spectrum -40° - $+300^{\circ}\text{C}$ (temperature resistance for wiring, insulation, etc. selected according to the specific application)
- Resistance values 0.1 ... 1000kOhm, suitable for most applications
- Low weight
- Short thermal time constant

Description/Function

- NTC sensors have a non-linear, negative temperature coefficient of resistance over the entire temperature range.
Resistance values at 25°C on request for different versions (See technical data)

Packaging

- For variants request MOQ

Variants

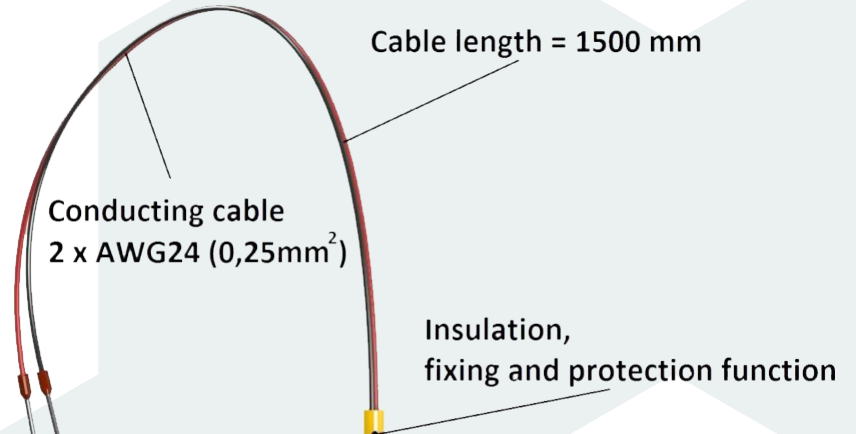
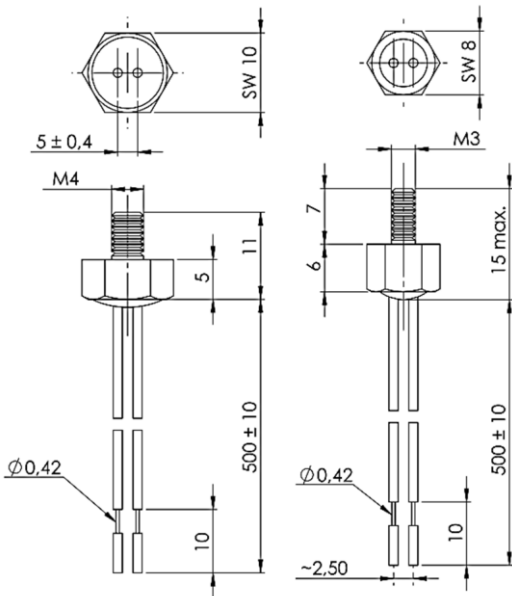
- NTC sensors are usually ordered according to unique project-specific data and manufactured based on the amount variants available (see technical data).
The following details are only examples of the variants available. Wire lengths, mounting methods, etc., are manufactured according to customer specification.

Product information for which Carbex bears no responsibility is provided by the manufacturer.





NTC THERMISTORS

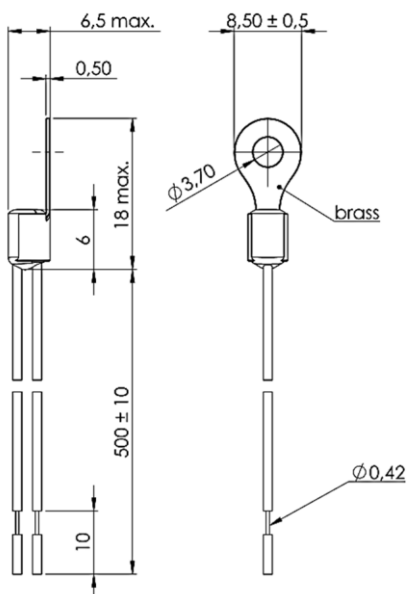


Optional plug:
client specific,
i.e: JST, FCI, MOLEX
2-polig

Screw G1/4",
Steel 1.4571

100 mm

Øa = 7
Øi = 5



Product information for which Carbex bears no responsibility is provided by the manufacturer.





NTC THERMISTORS

Technical data

(direct extract from the manufacturer's data sheet in English)

- Electrical data:

Parameter	Value	Unit
Resistance values at 25°C (R ₂₅)	0,1 ... 1000 (E24-Line), Decadic Stepped: 1.0/ 1.1/ 1.2/ 1.3/ 1.5/ 1.6/ 1.8/ 2.0/ 2.2/ 2.4/ 2.7/ 3.0/ 3.3/ 3.6/ 3.9/ 4.3/4.7/ 5.1/ 5.6/ 6.2/ 6.8/ 7.5/ 8.2/ 9.1	KΩ
deviation of R ₂₅ -value	1,2,3,5,10	%
deviation of B-value (material constant)	0,75 ... 5	%
max. power loss	500	mW
reaction time dependent on housing:	< 1 ... 20	s
temperature range	-40 ... +300	°C

- Mechanical data:

Type:	NTC-sensor for surface mounting Alu-housing screw-in sensor SW 10/M4 ring shaped cable eye for self-tapping sheet metal screw	NTC-sensor for windings monitoring e.g.: electric motors, transformers: in stabilized shrink tube design
Lead-in	AWG 24, Cu-strand silvered, Teflon insulation, Standard colour: green/brown, Standard length: 500mm ± 1%	
Insulation Class:	H	
Remarks:	Special designs for liquid or gases media, in V2 A or other materials are manufactured on request for customers specific applications and specification. Resistance-temperature curves or table on request.	

Product information for which Carbex bears no responsibility is provided by the manufacturer.

